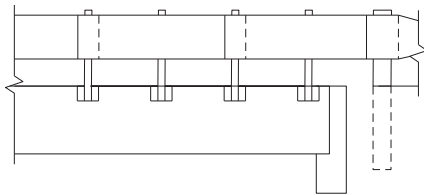
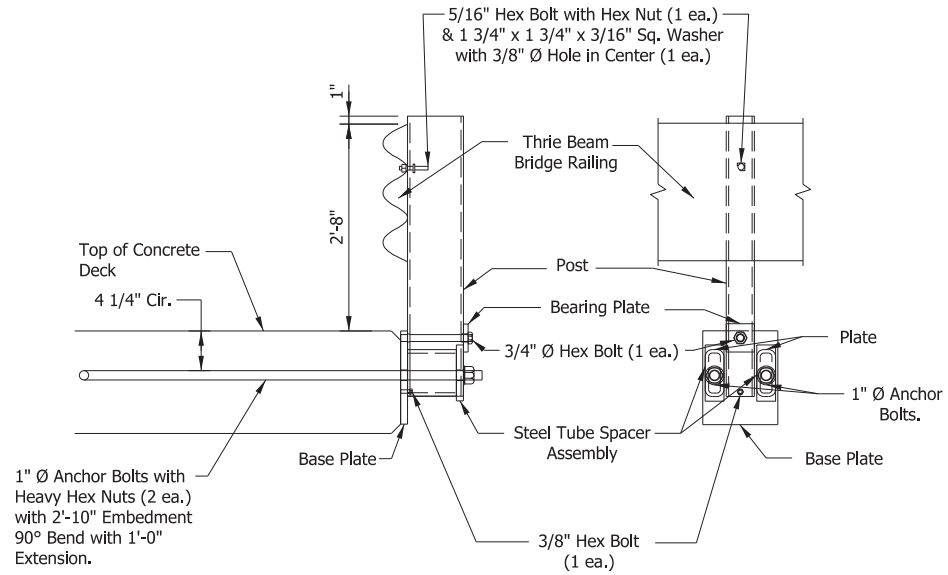


PLAN VIEW



ELEVATION VIEW



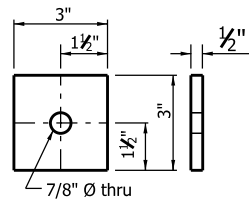
THRIE-BEAM BRIDGE RAILING ASSEMBLY DETAILS

NOTES:

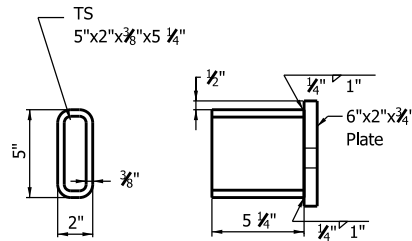
1. See Standard Drawings E 601-TBGC and -02 for thrie beam rail section.
2. TS-1 railing and TGS-1 transition details are acceptable as NCHRP Report 350 Test Level 2.

INDIANA DEPARTMENT OF TRANSPORTATION

RAILING, TS-1



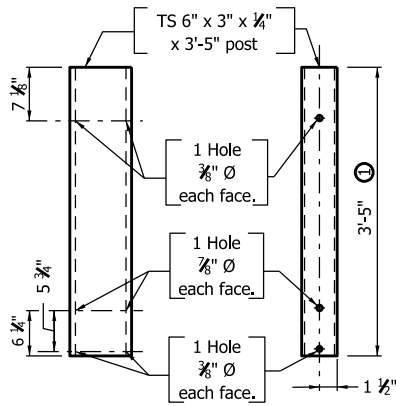
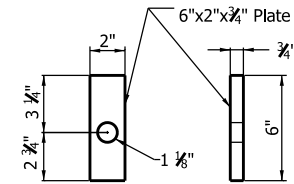
BEARING PLATE



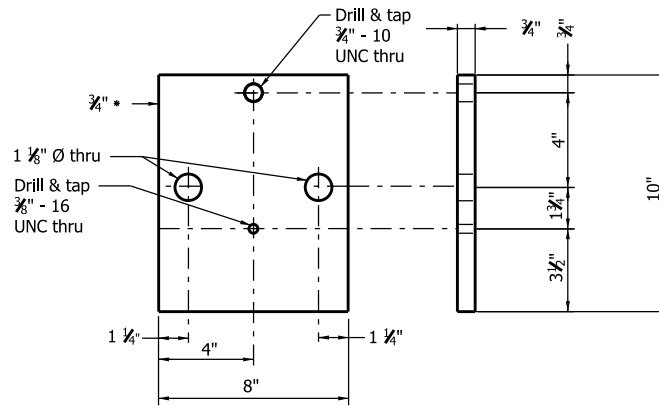
STEEL TUBE SPACER ASSEMBLY

NOTES:

- ① Post length may vary. If the 1" * anchor bolts in the deck must be lowered to accommodate the deck reinforcing steel, the steel base plate shall be lowered and the post length increased.



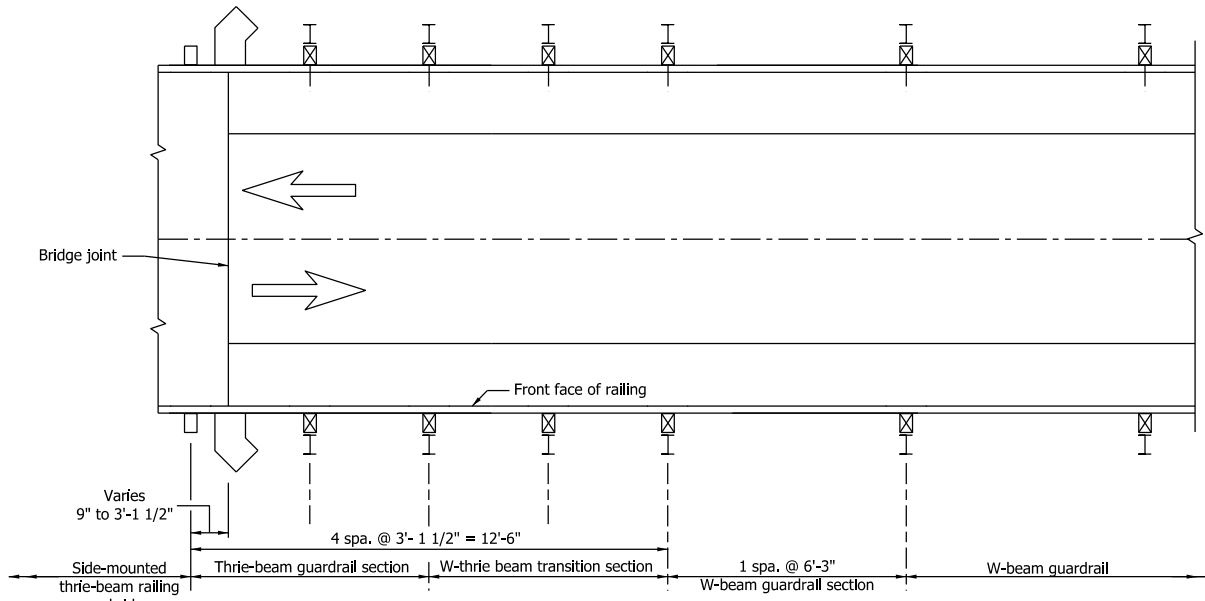
SECTION REAR VIEW
BRIDGE STEEL POST DETAIL



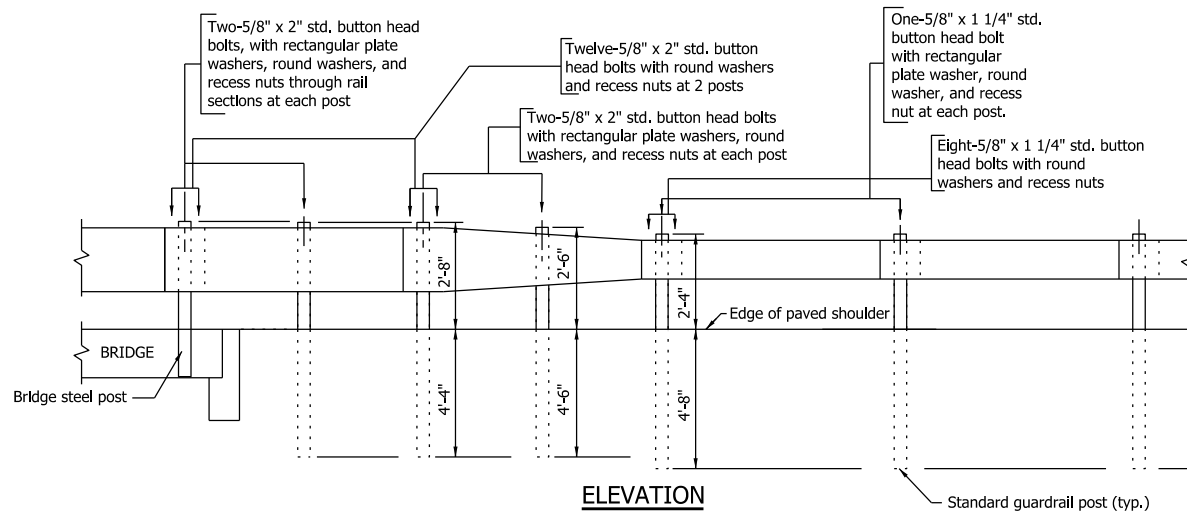
BASE PLATE

INDIANA DEPARTMENT OF TRANSPORTATION

RAILING, TS-1



PLAN VIEW



ELEVATION

NOTES:

1. See Recurring Plan Detail E 706-B-140d 1 of 3, for bridge Steel Post Detail.
2. See Standard Drawings E 601-TBGC-01 and E 601-TBGC-02 for thrie-beam guardrail components.
3. See Standard Drawings E 601-WBGC-01, E 601-WBGC-02 and E 601-WBGC-03 for W-beam guardrail components.

INDIANA DEPARTMENT OF TRANSPORTATION

GUARDRAIL TRANSITION, TGS-1